

16	B27
8	B28
8	B29
8	B30
4	B31
12	B254
4	B400
Qty.	In Assembly

p23	60	FL3/8"x3"	1'-7 11/16"	
MARK	QTY.	SIZE	LENGTH	COMMENTS

DESCRIPTION: PARTS - STIFFENER

PROJECT NAME CA23 CONDOMINIUMS
LOCATION

CUSTOMER:

DRAWN BY
DATE
04/22/2008

FAB. NAME

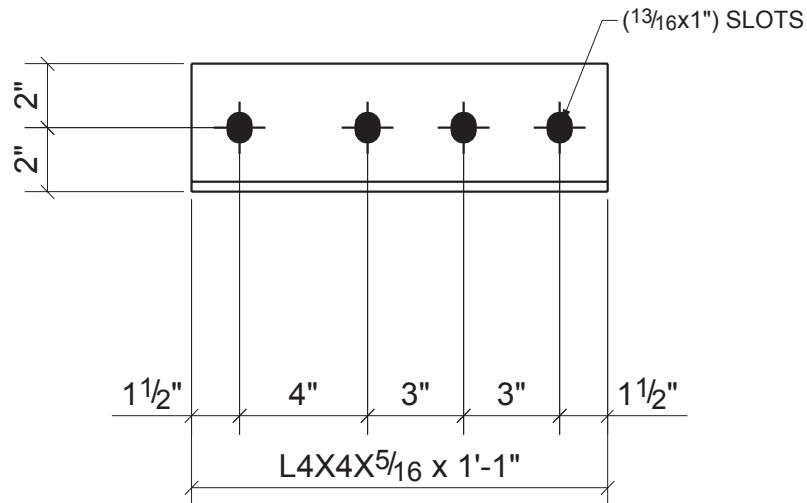
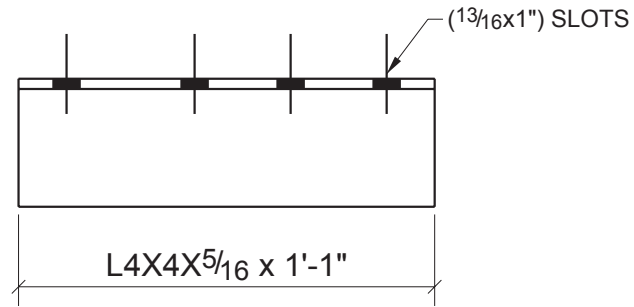
CHKD. BY
DATE

JOB No. ESG2907
DRG. No. p23



STEEL STRUCTURES ■ MODELING ■ DETAILING ■ ENGINEERING

50 East Palisade Ave. Suite 412 ■ Englewood, NJ 07631
office: 201.567.4072 ■ mobile: 201.660.2200 ■ fax: 201.567.4071



1	B430
1	B431
1	B432
1	B433
Qty.	In Assembly

MARK	QTY.	SIZE	LENGTH	COMMENTS
a84	4	L4X4X5/16	1'-1"	

DESCRIPTION: PARTS

PROJECT NAME CA23 CONDOMINIUMS
LOCATION

CUSTOMER:

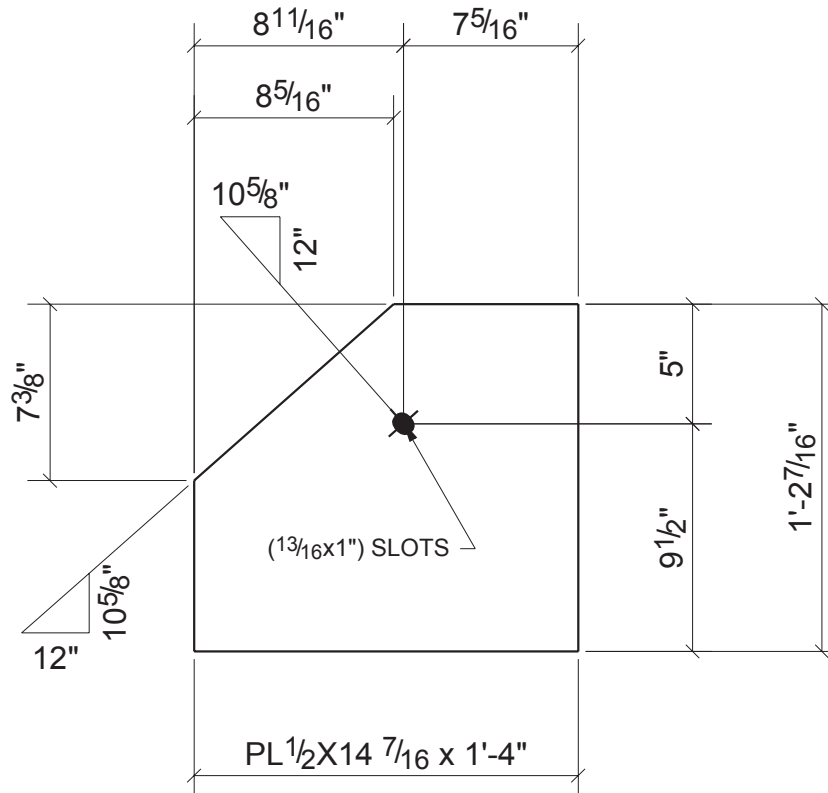
FAB. NAME

DRAWN BY	DATE
CHKD. BY	DATE
JOB No. ESG2907	DRG. No. a84



STEEL STRUCTURES ■ MODELING ■ DETAILING ■ ENGINEERING

50 East Palisade Ave. Suite 412 ■ Englewood, NJ 07631
office: 201.567.4072 ■ mobile: 201.660.2200 ■ fax: 201.567.4071



1	B88
1	B289
1	B377
Qty.	In Assembly

MARK	QTY.	SIZE	LENGTH	COMMENTS
p80	3	PL1/2"x14 7/16"	1'-4"	

DESCRIPTION: PARTS

PROJECT NAME CA23 CONDOMINIUMS
LOCATION

CUSTOMER:

DRAWN BY	DATE
CHKD. BY	DATE
JOB No.	DRG. No.
ESG2907	p80

FAB. NAME



STEEL STRUCTURES ■ MODELING ■ DETAILING ■ ENGINEERING

50 East Palisade Ave. Suite 412 ■ Englewood, NJ 07631
office: 201.567.4072 ■ mobile: 201.660.2200 ■ fax: 201.567.4071